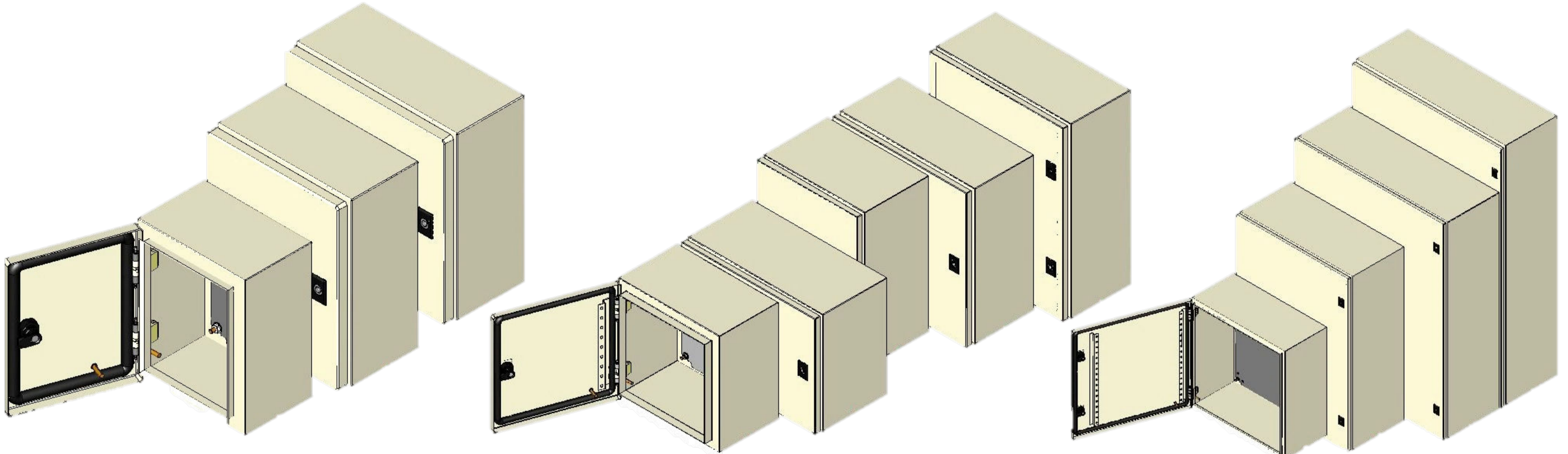
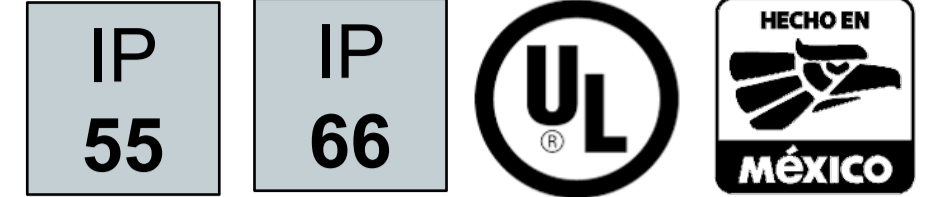


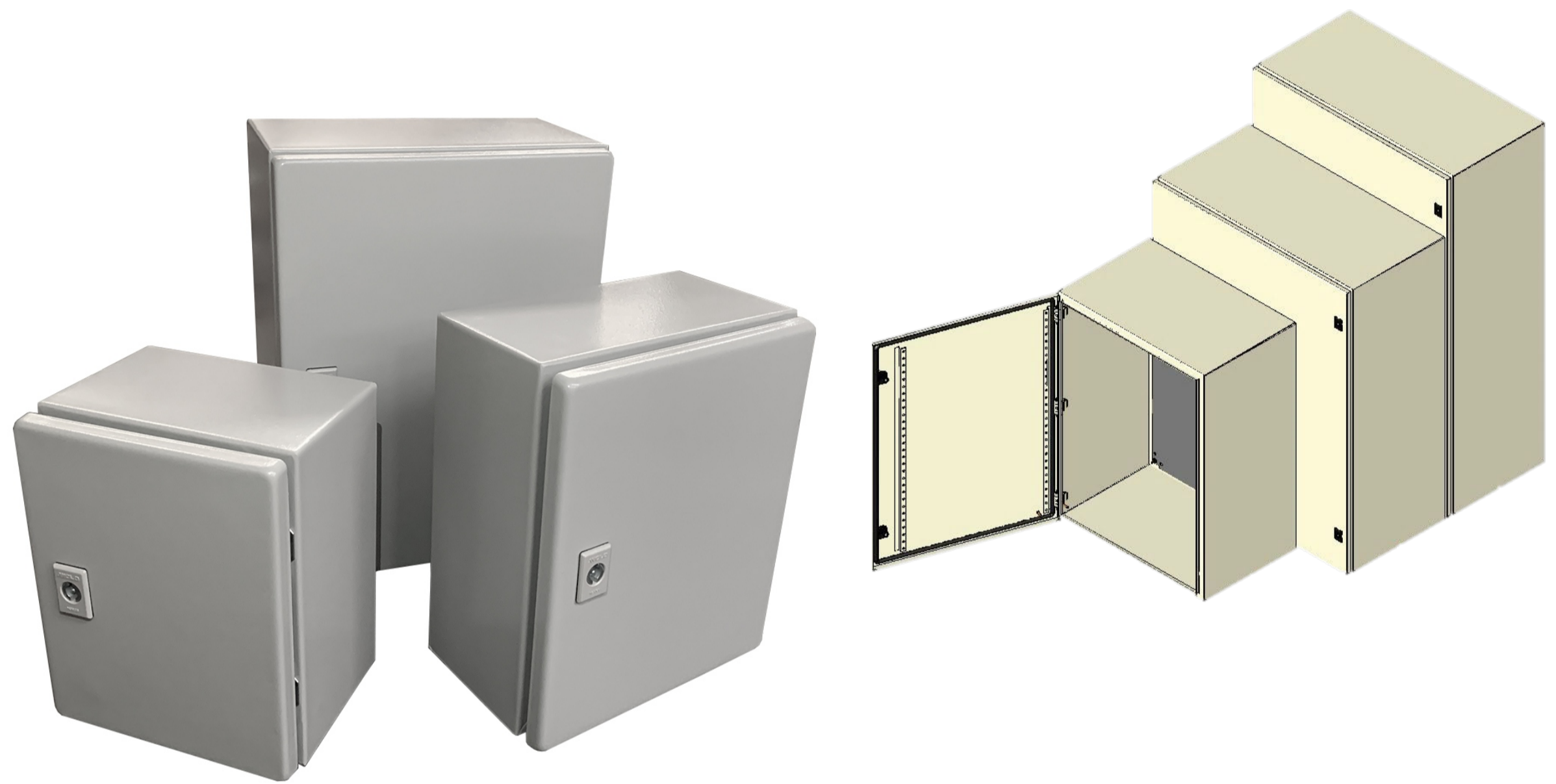
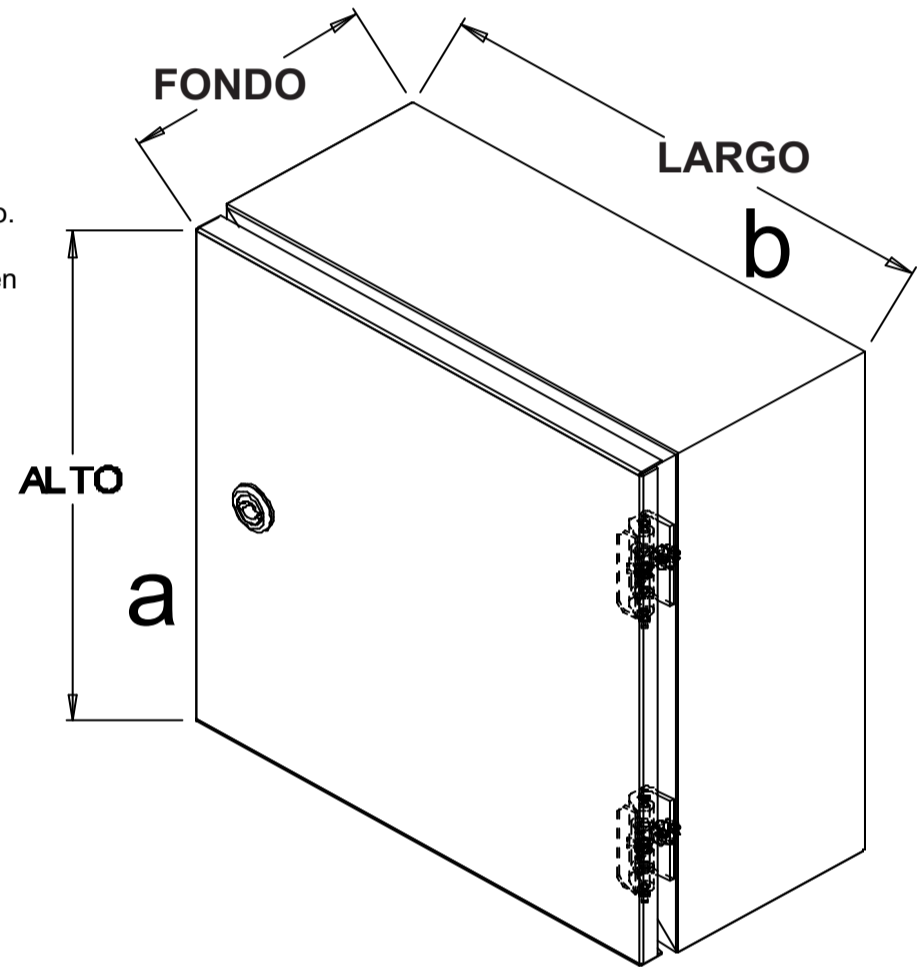
GABINETES INDUSTRIALES



Gabinets para equipo de control NEMA 4/IP 66
 Certificado UL 508 A
 No. de archivo: 2018205-E485681 IP 66



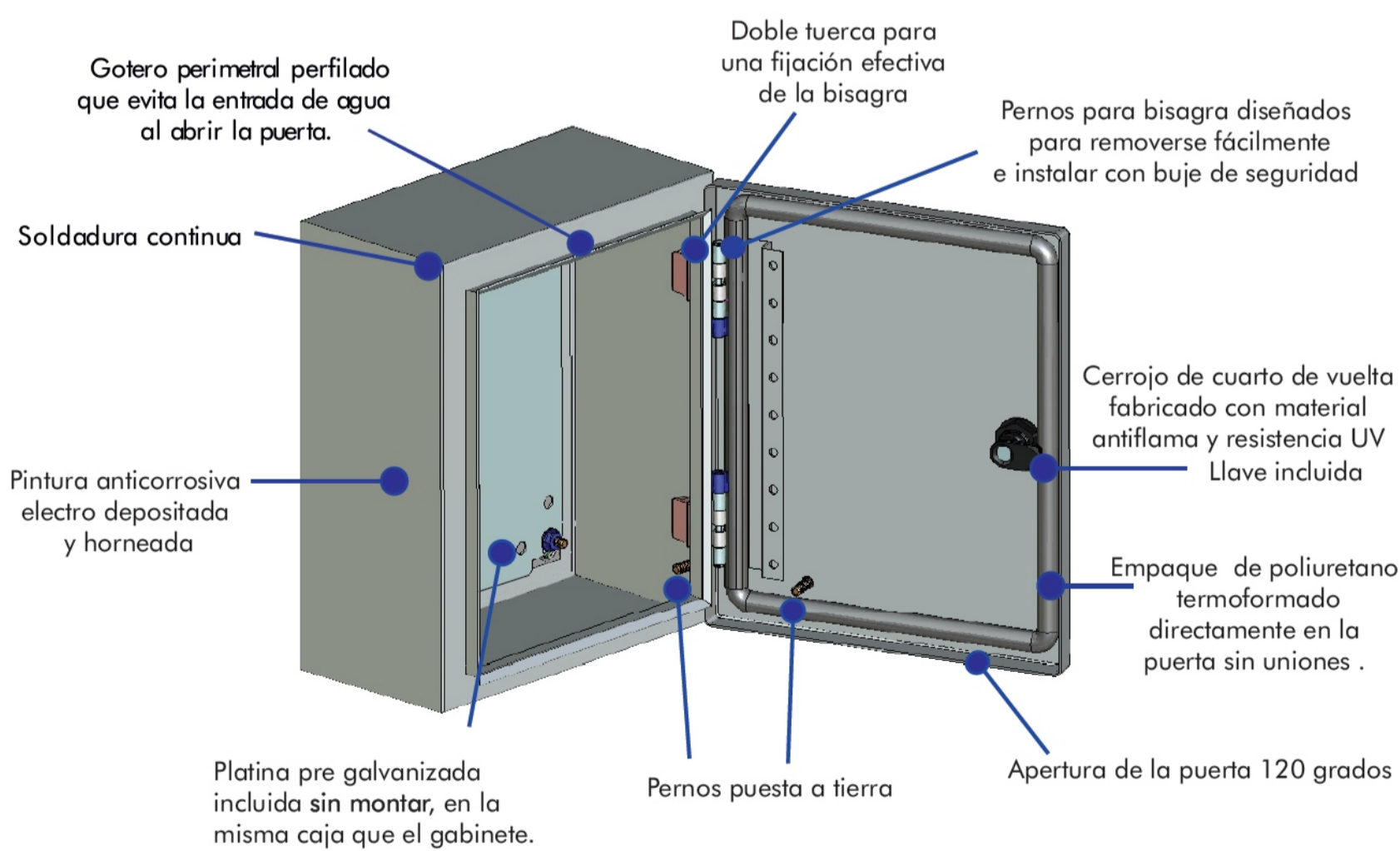
- Acabado:** Fosfatado alcalino pintura poliéster gris Norma ASTM B 117 GOFRADO RAL 7035/15440 curado a 180°
- Materiales:** ASTMA 1011 (Gabinete)
ASTMA 653 (Platina pre galvanizada)
Gabinets industriales G4A, cal. 18, pintura horneada y sello de poliuretano.
- Diseño:** Para usarse tanto en interiores como en exteriores montado sobre muros o bastidores UNICANAL.
- Aplicación:** Para usarse tanto en interiores como en exteriores montado sobre muros o bastidores UNICANAL.



| Calificaciones UL 50, 50E / NEMA / IP | | | | |
|---------------------------------------|----|-----------------------------|---|----------------------|
| NEMA | IP | Protección | Método de prueba | Criterios para pasar |
| Tipo 4 | 66 | Agua dirigida con manguera. | Manguera para incendios, 65 galones (246L/min) -5min mínimos. | Sin agua adentro. |

| Clave | ALTO | LARGO | FONDO | Calibre de lamina | Dimensiones de platina | No. De bisagras | No. De Cerrojos |
|-------------|------|-------|-------|-------------------|------------------------|-----------------|-----------------|
| | mm | mm | mm | Cal. (mm) | a x b (mm) | Cal. (mm) | |
| G4A302012UL | 300 | 200 | 120 | | 265 x 150 | 2 | 1 |
| G4A252015UL | 250 | 200 | 150 | | 215 x 150 | 2 | 1 |
| G4A302515UL | 300 | 250 | 150 | | 265 x 200 | 2 | 1 |
| G4A303015UL | 300 | 300 | 150 | | 265 x 250 | 2 | 1 |
| G4A303020UL | 300 | 300 | 200 | | 265 x 250 | 2 | 1 |
| G4A304020UL | 300 | 400 | 200 | | 265 x 350 | 2 | 1 |
| G4A403020UL | 400 | 300 | 200 | 18 (1.21) | 365 x 250 | 16 (1.52) | 2 |
| G4A404020UL | 400 | 400 | 200 | | 365 x 350 | 2 | 1 |
| G4A504020UL | 500 | 400 | 200 | | 465 x 350 | 3 | 2 |
| G4A604025UL | 600 | 400 | 250 | | 565 x 350 | 3 | 2 |
| G4A606025UL | 600 | 600 | 250 | | 565 x 550 | 3 | 2 |
| G4A705025UL | 700 | 500 | 250 | | 665 x 450 | 3 | 2 |
| G4A505030UL | 500 | 500 | 300 | | 465 x 450 | 3 | 2 |

| Clave | ALTO | LARGO | FONDO | Calibre de lamina | Dimensiones de platina | | No. De bisagras | No. De Cerrojos |
|------------|------|-------|-------|-------------------|------------------------|-----------|-----------------|-----------------|
| | mm | mm | mm | Cal. (mm) | a x b (mm) | Cal. (mm) | | |
| G4A806030 | 800 | 600 | 300 | | 765 x 550 | | 3 | 2 |
| G4A806040 | 800 | 600 | 400 | | 765 x 550 | | 3 | 2 |
| G4A1008030 | 1000 | 800 | 300 | 18 (1.21) | 965 x 750 | 14 (1.9) | 3 | 2 |
| G4A1008040 | 1000 | 800 | 400 | | 965 x 750 | | 3 | 2 |
| G4A1208030 | 1200 | 800 | 300 | | 1165 x 750 | | 3 | 2 |
| G4A1208040 | 1200 | 800 | 400 | | 1165 x 750 | | 3 | 2 |



Puerta reforzada
Cerrojo anti flama de un cuarto de vuelta
Aplicaciones recomendadas: proyectos que requieren alto grado de protección al polvo, ingresos de agua e impactos.
Rango de temperatura ambiente: - 25°C a 40°C
Temperatura máxima Junta estanqueidad: 80°C
Resistencia al impacto: IK 08
Tensión máxima de empleo: 1000V AC

CERTIFICATE OF COMPLIANCE

Certificate Number: 20181205-E485681
 Report Reference: E485681-20181201
 Issue Date: 2018-DECEMBER-05

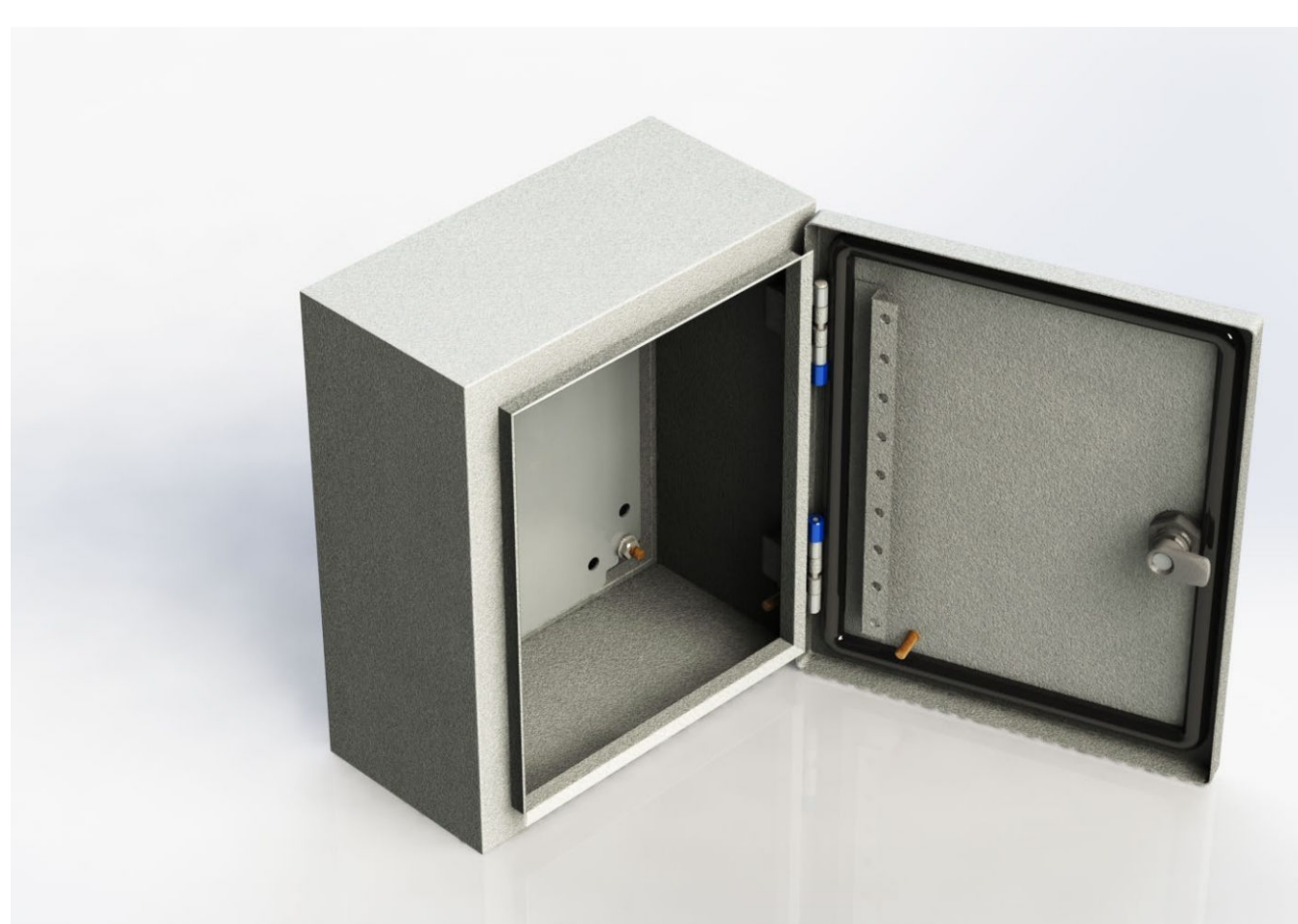
Issued to: ANGLLO MANUFACTURAS
 6 NORTE 111 COL. PARQUE INDUSTRIAL TOLUCA
 2000 Toluca
 Estado de Mexico MEXICO

This certificate confirms that representative samples of INDUSTRIAL CONTROL PANELS USL - CNL - Enclosure for Industrial Control Panels, sheet metal, G4A Series, may be followed by numbers.

Have been investigated by UL in accordance with the Standard(s) indicated on this Certificate.

Standard(s) for Safety: UL 508A-Industrial Control Panels, C22.2 No. 14-18 Industrial Control Equipment
 Additional Information: See the UL Online Certifications Directory at <https://iq.ulprospector.com> for additional information.

This Certificate of Compliance does not provide authorization to apply the UL Mark.
 Only those products bearing the UL Mark should be considered as being UL Certified and covered under UL's Follow-Up Services.
 Look for the UL Certification Mark on the product.



ESCANEA EL CÓDIGO QR CON TU CELULAR



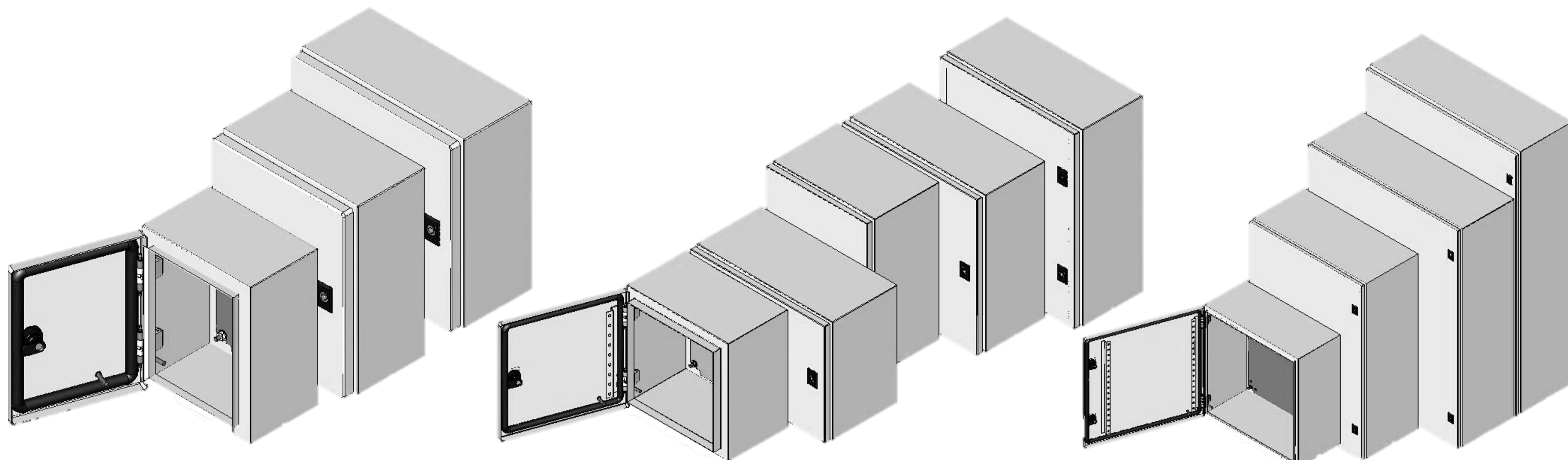
GABINETES INDUSTRIALES



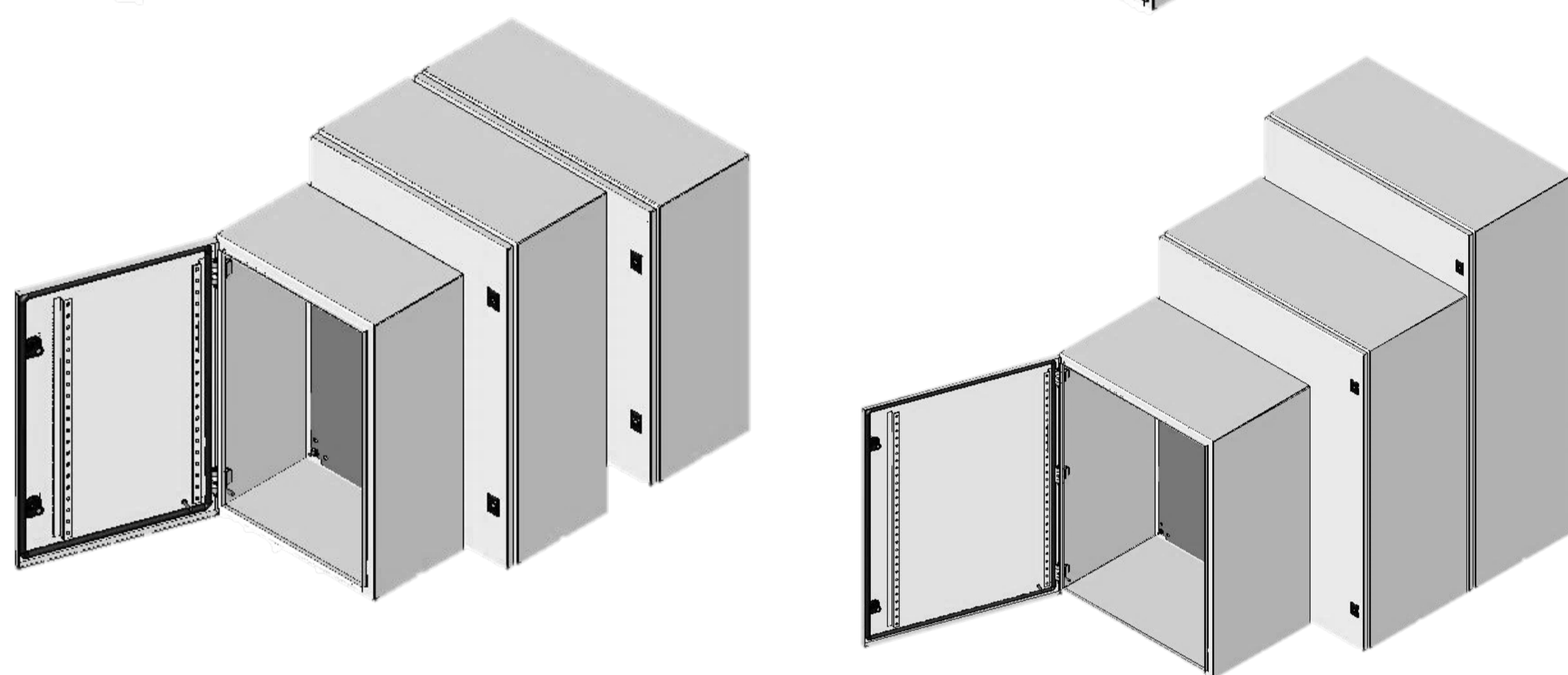
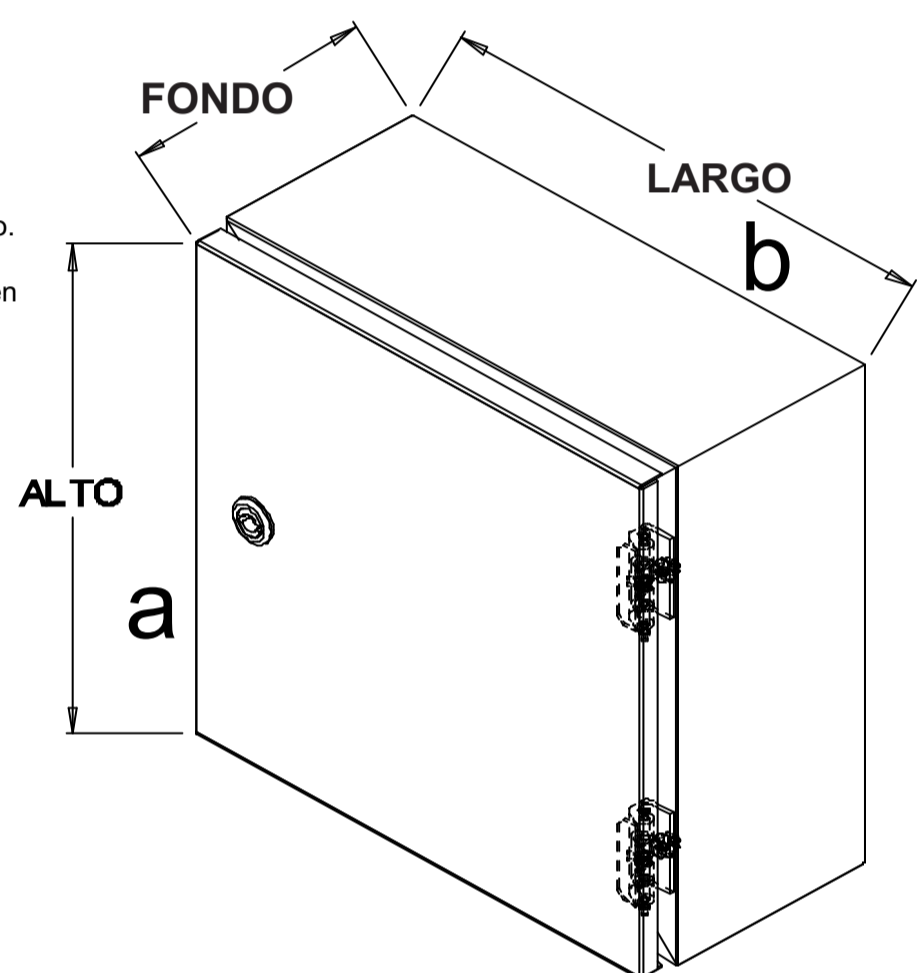
Gabinetes para equipo de control NEMA 4/IP 66
 Certificado UL 508 A
 No. de archivo: 2018205-E485681 IP 66

IP 55

IP 66



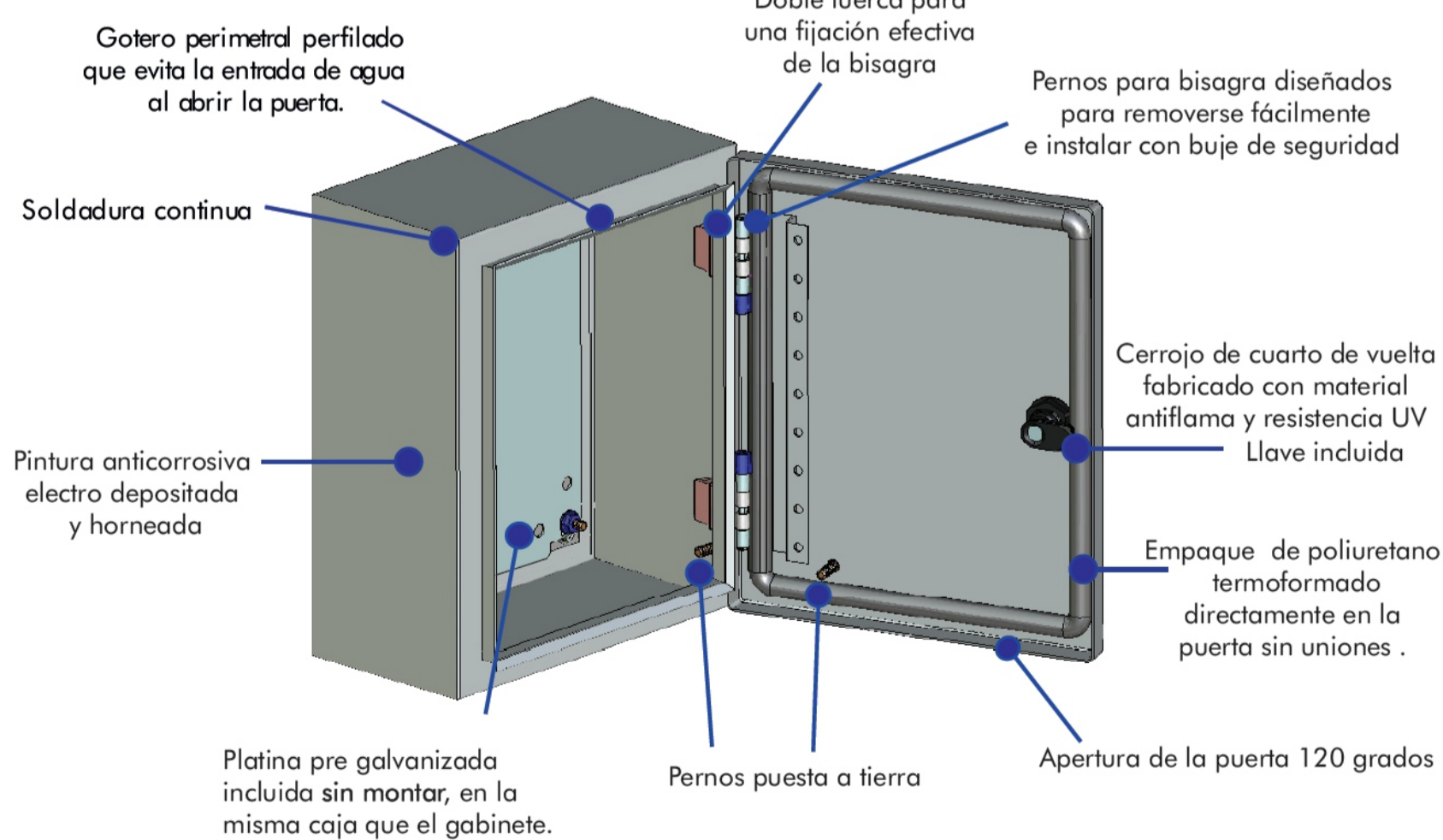
- Acabado:** Fosfatado alcalino pintura poliéster gris
 Norma ASTM B 117 GOFRADO RAL 7035/15440 curado a 180°
- Materiales:** ASTMA 1011 (Gabinete)
 ASTMA 653 (Platina pre galvanizada)
 Gabinetes industriales G4A, cal. 18, pintura horneada y sello de poliuretano.
- Diseño:** Gabinetes industriales G4A, cal. 18, pintura horneada y sello de poliuretano.
- Aplicación:** Para usarse tanto en interiores como en exteriores montado sobre muros o bastidores UNICANAL.



| Calificaciones UL 50, 50E / NEMA / IP | | | | Método de prueba | | Criterios para pasar | |
|---------------------------------------|----|-----------------------------|---|------------------|-------------------|----------------------|--|
| NEMA | IP | Protección | | | | | |
| Tipo 4 | 66 | Agua dirigida con manguera. | Manguera para incendios, 65 galones (246L/min) -5min mínimos. | | Sin agua adentro. | | |

| Clave | ALTO | LARGO | FONDO | Calibre de lamina Cal. (mm) | Dimensiones de platina | | No. De bisagras | No. De Cerrojos |
|-------------|------|-------|-------|-----------------------------|------------------------|-----------|-----------------|-----------------|
| | | | | | a x b (mm) | Cal. (mm) | | |
| G4A302012UL | 300 | 200 | 120 | | 265 x 150 | | 2 | 1 |
| G4A252015UL | 250 | 200 | 150 | | 215 x 150 | | 2 | 1 |
| G4A302515UL | 300 | 250 | 150 | | 265 x 200 | | 2 | 1 |
| G4A303015UL | 300 | 300 | 150 | | 265 x 250 | | 2 | 1 |
| G4A303020UL | 300 | 300 | 200 | | 265 x 250 | | 2 | 1 |
| G4A304020UL | 300 | 400 | 200 | | 265 x 350 | | 2 | 1 |
| G4A403020UL | 400 | 300 | 200 | 18 (1.21) | 365 x 250 | 16 (1.52) | 2 | 1 |
| G4A404020UL | 400 | 400 | 200 | | 365 x 350 | | 2 | 1 |
| G4A504020UL | 500 | 400 | 200 | | 465 x 350 | | 3 | 2 |
| G4A604025UL | 600 | 400 | 250 | | 565 x 350 | | 3 | 2 |
| G4A606025UL | 600 | 600 | 250 | | 565 x 550 | | 3 | 2 |
| G4A705025UL | 700 | 500 | 250 | | 665 x 450 | | 3 | 2 |
| G4A505030UL | 500 | 500 | 300 | | 465 x 450 | | 3 | 2 |

| GABINETES G4A NEMA 4 /IP 55 | | | | | | | | |
|-----------------------------|------|-------|-------|-----------------------------|------------------------|-----------|-----------------|-----------------|
| Clave | ALTO | LARGO | FONDO | Calibre de lamina Cal. (mm) | Dimensiones de platina | | No. De bisagras | No. De Cerrojos |
| | | | | | a x b (mm) | Cal. (mm) | | |
| G4A806030 | 800 | 600 | 300 | | 765 x 550 | | 3 | 2 |
| G4A806040 | 800 | 600 | 400 | | 765 x 550 | | 3 | 2 |
| G4A1008030 | 1000 | 800 | 300 | 18 (1.21) | 965 x 750 | 14 (1.9) | 3 | 2 |
| G4A1008040 | 1000 | 800 | 400 | | 965 x 750 | | 3 | 2 |
| G4A1208030 | 1200 | 800 | 300 | | 1165 x 750 | | 3 | 2 |
| G4A1208040 | 1200 | 800 | 400 | | 1165 x 750 | | 3 | 2 |



Puerta reforzada

Cerrojo anti flama de un cuarto de vuelta

Aplicaciones recomendadas: proyectos que requieren alto grado de protección al polvo, ingresos de agua e impactos.

Rango de temperatura ambiente: - 25°C a 40°C

Temperatura máxima Junta estanqueidad: 80°C

Resistencia al impacto: IK 08

Tensión máxima de empleo: 1000V AC



CERTIFICATE OF COMPLIANCE

Certificate Number: 2018205-E485681
 Report Reference: E485681-20181201
 Issue Date: 2018-DECEMBER-05

Issued to: ANGLo MANUFACTURAS
 6 NORTE 111 COL. PARQUE INDUSTRIAL TOLUCA
 2000
 50200 Toluca
 Estado de Mexico MEXICO

This certificate confirms that representative samples of INDUSTRIAL CONTROL PANELS USL, CNL - Enclosure for Industrial Control Panels, sheet metal, G4A Series, may be followed by numbers.

Have been investigated by UL in accordance with the Standard(s) indicated on this Certificate.

Standard(s) for Safety: UL 508A-Industrial Control Panels, C22.2 No. 14-18 Industrial Control Equipment

Additional Information: See the UL Online Certifications Directory at <https://iq.ulprospector.com> for additional information.

This Certificate of Compliance does not provide authorization to apply the UL Mark.

Only those products bearing the UL Mark should be considered as being UL Certified and covered under UL's Follow-Up Services.

Look for the UL Certification Mark on the product.

Signature
 Sales Representative, UL
 UL 508A
 Any reproduction of information appearing in this certificate is prohibited without the written consent of UL. For questions, please contact your local UL Customer Service Representative at <https://www.ulprospector.com>



ESCANEA EL CÓDIGO QR CON TU CELULAR

